



Machines

**AV2-2 Tandem Vibrating Rollers 2.4 – 4 t**

[www.ammann-group.com](http://www.ammann-group.com)

## Smart Concept of the AV2-2 Vibrating Rollers

The AV2-2 Series of Tandem Vibrating Rollers are universal rollers designed for the use at medium construction sites. The AV2-2 Series are very efficient and effective machines when in use on sublayer as well as on asphalt compaction.





Road Lighting



Sliding seat



Best access to the engine and service point



Life time lubricated central articulation joint

## Powerful

Optimum compaction results thanks to:

- high-torque, water-cooled three-cylinder Yanmar diesel engine
- 2 working speeds
- 2 frequencies with 2 centrifugal forces
- Single or double vibration with double traction
- large drum diameter
- balanced weight front and rear
- 2 large corrosion free water tanks
- multiple water filtration
- 2 scrapers per drum

## Easy to operate

High comfort of operation due to:

- easy-to-operate instrument panel
- drums can be in line or offset by 40 mm
- tight turning radius
- compact dimensions
- smooth starting and reversing of the machine
- rubber mounted operator's platform

## Easy to maintain

Minimum maintenance required:

- all bearings are lubricated for life time
- teflon coated central articulation joint
- engine hood can be completely opened
- direct access to the maintenance points situated at one side
- outside drain plugs for rapid change of machine fluids
- water filters and nozzles are easily accessible

## Safe

High security with the AV/2 Vibrating Rollers:

- CE-Package: Folding ROPS, emergency stop, comfort seat with security belt and seat contact switch
- ergonomic instrument panel
- unobstructed view to the drums

Vandal protection of the machine with locks on:

- instrument panel
- engine hood
- fuel tank
- water tanks

## Suitable

The AV2-2 Series is based on a modular concept allowing

- the customisation of the machine to specific applications of the user
- optimisation of spare parts management due to wide compatibility of the parts between different AV2-2 Models



Multiple water filtration for sprinkler system



## Different Versions – One Concept

The AV2-2 Vibration Rollers can be delivered in different versions, as Tandem or Combination Rollers with a drum width of 100, 120 or 130 cm



Dashboard



Lockable instrument panel

## Tandem-Version

The basic machine of the AV2-2 Series includes:

- Double traction
- Pressurised sprinkler system with multiple filtration
- 2 large corrosion free water tanks (80 l +120 l)
- 2 working frequencies with 2 centrifugal forces
- drums can be in line or offset by 40 mm
- 2 scrapers for each drum
- 4 point lifting hooks for easy transportation
- Hours meter and diesel fuel gauge
- Ammann Standard dash board and emergency stop switch

The rollers can be equipped with a wide range of options.

## Combination Model

The vibration roller are also available as a combination roller AV 23-2K/26-2K/32-2K/40-2K. Together with both water tanks the combination model has an in-built anti-adhesive tank with direct pressurised sprinkler system to the tyres. The sprinkling out of the anti-adhesive can be turned on via a separate hand switch.

## Full-flush Model

The Tandem Vibrating Rollers AV 23-2/26-2 and AV 23-2K/26-2K are the only machines in their class available as full-flush models with double drive and double vibration. This option enables the drum to compact completely up against a wall. There is no more additional tuning work needed with smaller compaction equipment.



The Vibrating Rollers AV23-2/26-2 and AV23-2K/26-2K are also available as fullflush models



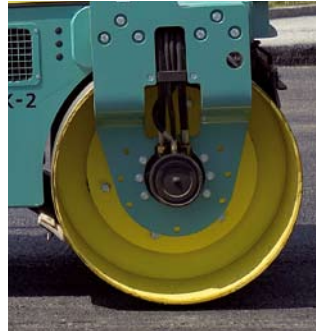
## Technical data and optionals

	Masseinheit	AV 23-2	AV 23-2 K	AV 26-2	AV 26-2 K	AV 32-2	AV 32-2 K	AV 33-2	AV 40-2	AV 40-2 K
<b>Weight</b>										
Operating weight CECE (full-flush)	kg	2500 (2700)	2300 (2400)	2800 (2900)	2500 (2550)	3100	3100	3500	3900	3600
Static linear load (full-flush)	kg/cm	12.5 (12.8)	12.5 (12.8)	11.7 (12.0)	10.4 (10.6)	12.9	12.9	13.5	15.0	15.0
Wheel load	kg	-	262	-	275	-	312	-	-	412
French classification		PV3	PV3	PV3	PV3	PV3	PV3	PV3	PV4	PV4
<b>Drums (Wheels)</b>										
Width (full-flush)	mm	1000 (1050)	1000 (1050)	1200 (1250)	1200 (1250)	1200	1200	1300	1300	1300
Diameter	mm	740	740	740	740	740	740	740	740	740
Thickness	mm	13	13	13	13	13	13	13	13	13
Offset (full-flush)	mm	40 (60)	0 (20)	40 (35)	0	40	0	40	40	0
Number of wheels		-	4	-	4	-	4	-	-	4
Tire size		-	205/60R15	-	205/60R15	-	205/60R15	-	-	205/60R15
Tire-axle width	mm	-	970	-	1170	-	1170	-	-	1170
Rolling width max. (full-flush)	mm	1040 (1100)	1000	1240 (1300)	1200	1240	1200	1340	1340	1300
<b>Drive</b>										
Engine and type		YANMAR 3TNV88 EuroMot3A / EPA2								
1. working speed: 2050 rpm										
Power output DIN 6270 B	kW / HP	19.8 / 27.0	19.8 / 27.0	19.8 / 27.0	19.8 / 27.0	19.8 / 27.0	19.8 / 27.0	19.8 / 27.0	19.8 / 27.0	19.8 / 27.0
Travel speed	km/h	0 - 7	0 - 7	0 - 7	0 - 7	0 - 7	0 - 7	0 - 7	0 - 7	0 - 7
Gradeability with / without vibr.	%	30 / 40	30 / 40	30 / 40	30 / 40	30 / 40	30 / 40	20 / 30	20 / 30	20 / 30
2. working speed: 2400 rpm										
Power output DIN 6270 B	kW / HP	23.2 / 30.6	23.2 / 30.6	23.2 / 30.6	23.2 / 30.6	23.2 / 30.6	23.2 / 30.6	23.2 / 30.6	23.2 / 30.6	23.2 / 30.6
Travel speed	km/h	0 - 8	0 - 8	0 - 8	0 - 8	0 - 8	0 - 8	0 - 8	0 - 8	0 - 8
Gradeability with / without vibr.	%	30 / 40	30 / 40	30 / 40	30 / 40	30 / 40	30 / 40	25 / 35	25 / 35	25 / 35
<b>Steering</b>										
Turning radius, outside / inside	mm	3350 / 2350	3350 / 2350	3450 / 2250	3450 / 2250	3450 / 2250	3450 / 2250	3500 / 2200	3500 / 2200	3500 / 2200
Steering / Oscillating angle	+/- °	32 / 8	32 / 8	32 / 8	32 / 8	32 / 8	32 / 8	32 / 8	32 / 8	32 / 8
<b>Vibration</b>										
Amplitude										
	mm	0.4	0.4	0.4	0.4	0.4	0.4	0.35	0.35	0.35
1. working speed: 2050 rpm										
Frequency	Hz	59	59	59	59	59	59	59	59	59
Centrifugal force per drum	kN	34	34	34	38	38	38	36	36	36
2. Arbeitsdrehzahl: 2400 U/min										
Frequency	Hz	67	67	67	67	67	67	67	67	67
Centrifugal force per drum	kN	41	41	41	46	46	46	48	48	48
<b>Capacities</b>										
Water tank	l	80 + 120	80 + 120	80 + 120	80 + 120	80 + 120	80 + 120	80 + 120	80 + 120	80 + 120
Anti-adhesive	l	-	14	-	14	-	14	-	-	14
Hydraulic tank	l	25	25	25	25	25	25	25	25	25
Diesel fuel tank	l	43	43	43	43	43	43	43	43	43

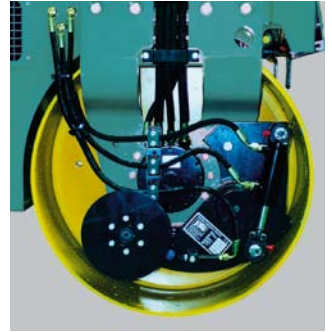
Technical data subject to changes



Folding ROPS for easy transport



2 scrapers per drum



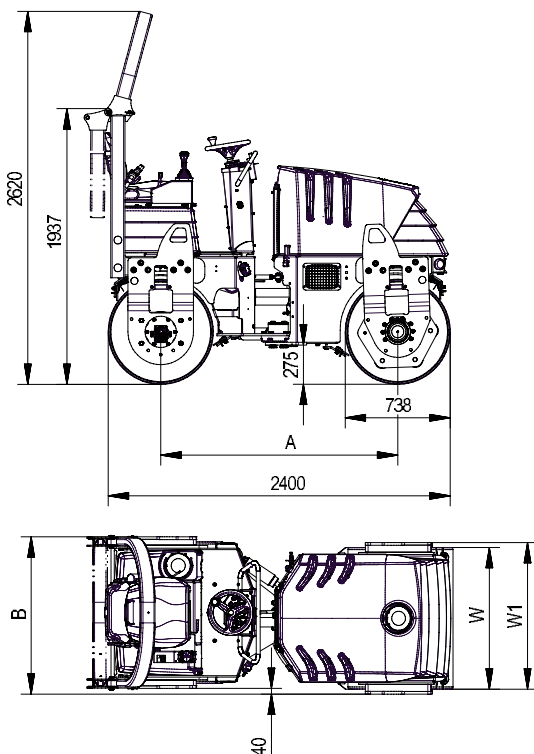
Edge-cutter

## Standard

- Both drums with drive
- Double vibration
- pressurised sprinkler system
- Comfort seat with slid able seat
- 2 scrapers per drum
- 4-point lifting hooks
- diesel fuel gauge
- hour meter
- drums 40 mm off-set
- drive lever with vibration- and water switch

## Options

- CE-package incl. folding ROPS
- Vibration rear incl. cut-off
- Road lightning
- Side-free AV23-2 and AV26-2
- Rotating beacon
- Reversing alarm
- Battery disconnection switch
- Electrical flow divider
- Edge cutter
- Biodegradable hydraulic oil
- Customer colour
- Lockable water tank



Dimensions	L	B	H	W	W1	A	V
Measures in mm							
AV 23-2	2400	1110	2620	1000	1040	1650	40
AV 23-2 full flush	2400	1110	2620	1050	1110	1650	60
AV 26-2 / 32-2	2400	1310	2620	1200	1240	1650	40
AV 26-2 full flush	2400	1295	2620	1200	1250	1650	95
AV 33-2 / 40-2	2400	1415	2620	1300	1340	1650	40
AV 23-2 K	2400	1065	2620	1000	1040	1700	0
AV 23-2 K seitenfrei	2400	1100	2620	1050	1110	1700	20
AV 26-2 K / AV 32-2 K	2400	1220	2620	1200	1240	1700	0
AV 26-2 K full flush	2400	1250	2620	1200	1250	1700	50
AV 40-2 K	2400	1370	2620	1300	1340	1700	0

Technical data subject to changes

**Ammann distribution  
companies:**

**Switzerland:**

Ammann Schweiz AG  
CH-4901 Langenthal  
Tel +41 62 916 61 61  
Fax +41 62 916 65 40

**Germany:**

Ammann Verdichtung GmbH  
D-53773 Hennef  
Tel +49 22 42 880 20  
Fax +49 22 42 880 259

**Rammax Maschinenbau GmbH**

D-72555 Metzingen  
Tel +49 71 23 922 30  
Fax +49 71 23 922 350

**Czech Republic:**

Ammann Czech Republic a.s.  
CZ-54901 Nové Město nad Metují  
Tel. +420 491 476 111  
Fax +420 491 470 215

**France:**

Ammann France SA  
F-94046 Créteil/Cedex  
Tel +33 1 45 17 08 88  
Fax +33 1 45 17 08 90

**United Kingdom:**

Ammann Equipment Ltd.  
GB-Warwickshire, CV37 0TY  
Tel +44 1789 414 525  
Fax +44 1789 414 495

**Poland:**

Ammann Polska sp.zo.o.  
PL-02-230 Warszawa  
Tel +48 22 33 77 900  
Fax +48 22 33 77 929

**USA:**

Ammann America Inc.  
US-Ponte Vedra, Florida 32082  
Tel +1 904 543 1691  
Fax +1 904 543 1781

**Ammann manufacturing  
companies:**

**Switzerland:**

Ammann Schweiz AG  
CH-4901 Langenthal  
Tel +41 62 916 61 61  
Fax +41 62 916 64 03

**Germany:**

Ammann Verdichtung GmbH  
D-53773 Hennef  
Tel +49 22 42 880 20  
Fax +49 22 42 880 259

**Rammax Maschinenbau GmbH**

D-72555 Metzingen  
Tel +49 71 23 922 30  
Fax +49 71 23 922 350

**Czech Republic:**

Ammann Czech Republic a.s.  
CZ-54901 Nové Město nad Metují  
Tel. +420 491 476 111  
Fax +420 491 470 215

